

**INSTALLATION INSTRUCTIONS**

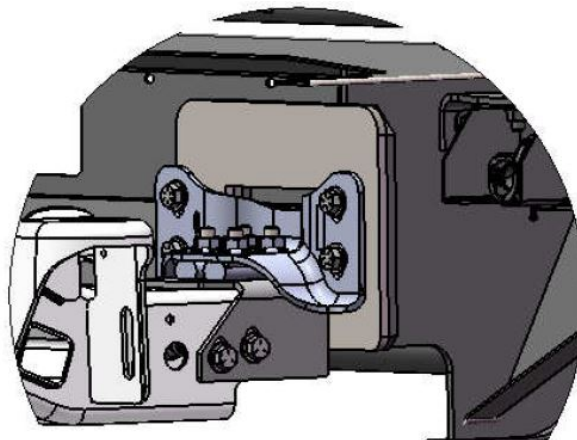
**2017+ FORD F-250 / F-350 / F-450 / F-550**  
**PART #/s FBF201BLR / FBF201BLRC / BTF201BLR / FBF205BLR**

**Warning:** *If your vehicle has adaptive cruise, please ensure that your adaptive cruise is working correctly once the Ranch Hand bumper is installed. Adaptive cruise may need to be cleaned or adjusted to ensure it functions properly. Dropping or bumping the A.C.C. module could cause adaptive cruise not to work. See your owner's manual for care of the adaptive cruise.*

1. Unhook the fog light wiring harness.
2. Remove the side bumper bracket bolts. Two on each side.
3. If an Adaptive Cruise Control Module is present, located on the driver side of the vehicle, it will need to be unplugged and removed at this time. You will install it again later.
4. Remove the factory bumper by removing the eight 18mm bolts. Four on each side.
5. Remove the tow hooks. There are four 18mm bolts holding each tow hook.
6. Note: *Before installing the mounting plates, make sure the top of the frame rails and the bottom sides of the mounting plates are free of splatter.* Slide the tow hook through the opening and mount the mounting plate over the frame. Use the tow hook bolt to install back to the frame. Use four ½" x 1 ¾" bolt, *facing towards the inside of the frame*, to mount the mounting plate to the inside of the frame.  
**TOW HOOKS MUST BE REINSTALLED!**



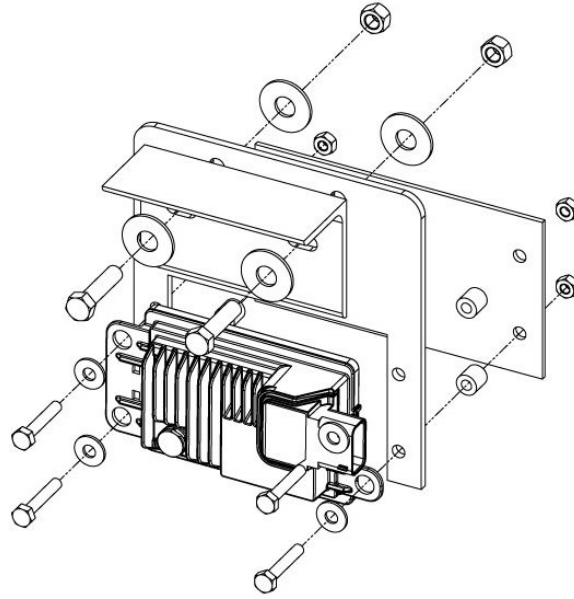
7. Make sure the holes of the tow hook bracket and the holes of the mounting plate line up.
8. Mount the front bumper replacement to the mounting plates by using the ½" x 2" bolts.



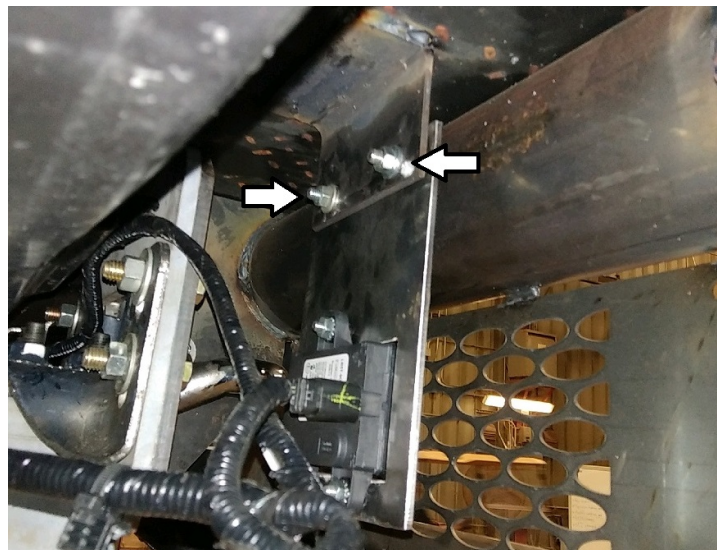
9. Center the frontend from side to side and raise or lower the frontend as needed to make sure everything is aligned properly and flush with body lines and lights.

**2017-19 Models:**

10. Mount the Adaptive Cruise Control Module to the Adaptive Cruise Bracket (FBF171ACBBL) (FBF201ACBBL for 2020-up models). Use the ¼” x 1 ½” bolts provided. Use the four plastic spacers between the adaptive cruise bracket and the rectangle plastic cover. Mount the bracket to the front side of the angle iron that is located on the underside of the top plate with 5/16” bolts. The A.C.C. module will face forward.



11. **2020-up models:** Mount the Adaptive Cruise Control Module to the Adaptive Cruise Bracket (FBF201ACBBL for 2020-up models). Use the ¼” x 1” bolts provided. Mount the bracket to the front side of the angle iron that is located on the underside of the top plate with 5/16” bolts. The A.C.C. module will face forwards.



***MAKE SURE ALL NUTS AND BOLTS ARE TIGHT!***

**Troubleshooting Adaptive Cruise:**

1. Make sure A.C.C. module is installed properly and plugged in.
2. Make sure module bracket is bolted to the FRONT side of the angle iron. Burrs on the back side of the angle iron may cause A.C.C. module to not sit straight.
3. The angle iron should be parallel to the pipe and front insert. If it is welded at an angle it will cause adaptive Cruise not to function properly.

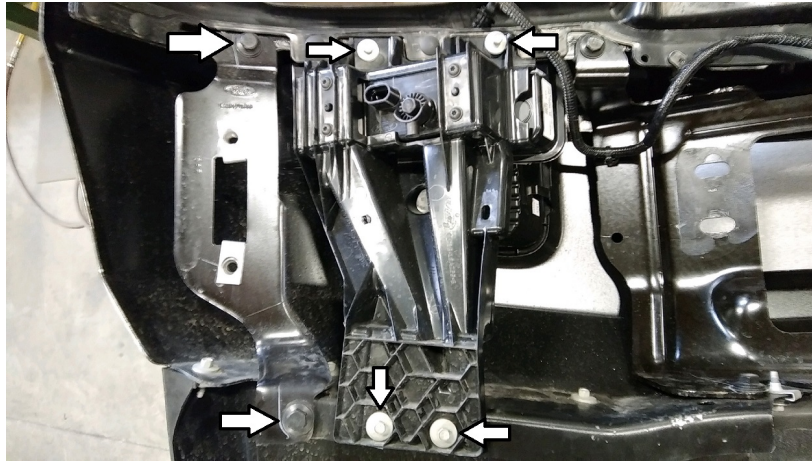
## **HALOGEN FOG LIGHT BRACKET INSTALLATION**

### **PART # LBF201BP**

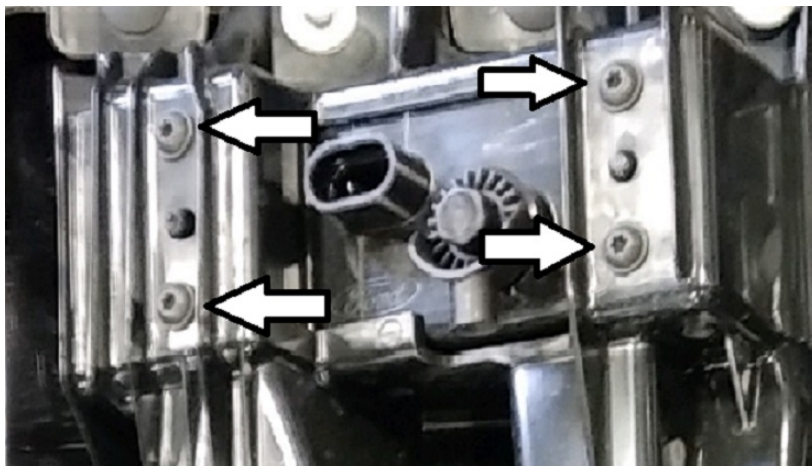
1. *Remove fog lights from factory fog light housing. Remove the fog light by removing the adjusting screw and spring. Then the two side clips.*
2. Insert the fog light into the fog light bracket (LBF171BL) by spreading the bracket out until the round tabs fit into the holes of the bracket. Place the screw through the bottom tab of the bracket and put the spring on the screw and then into the fog light.
3. There is a driver (LBF171MBDBL) and passenger (LBF171MBPBL) mounting bracket.
4. Mount the fog light bracket to the mounting bracket by using hardware provided.
5. Install the fog light mounting bracket to the hole in the mounting bracket. Line up the light through the hole in the skirt and tighten bolt.
6. Plug in wires and then adjust fog lights as needed.
7. **NOTE:** On the FBF205BLR, you will reverse the brackets. The driver will be used on the passenger side and vice-versa.
8. ***MAKE SURE ALL NUTS AND BOLTS ARE TIGHT!***

**2020+ FORD LED FOG LIGHT BRACKET**  
**PART # LBF201BP**

9. Remove the LED fog light and fog light bracket from the bumper.



10. Remove the fog light from the factory housing using a Torx T25.



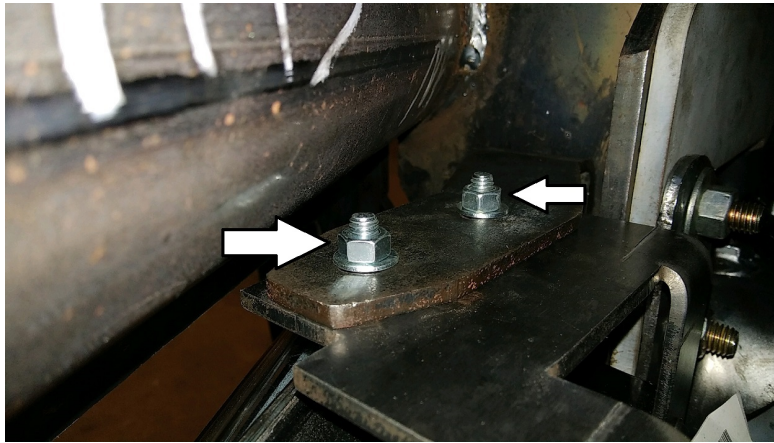
11. Mount the fog light to the fog light bracket by reusing the factory Torx screws.



12. There is a driver (LBF171MBDBL) and passenger (LBF171MBPBL) mounting bracket. Mount the fog light mounting bracket to the hole located in the mounting bracket of the replacement bumper. Use 1/2" hardware. Hand tighten only.



13. Mount the fog light bracket to the mounting bracket by using 5/16" hardware. Line up the light through the hole in the skirt and tighten bolt.



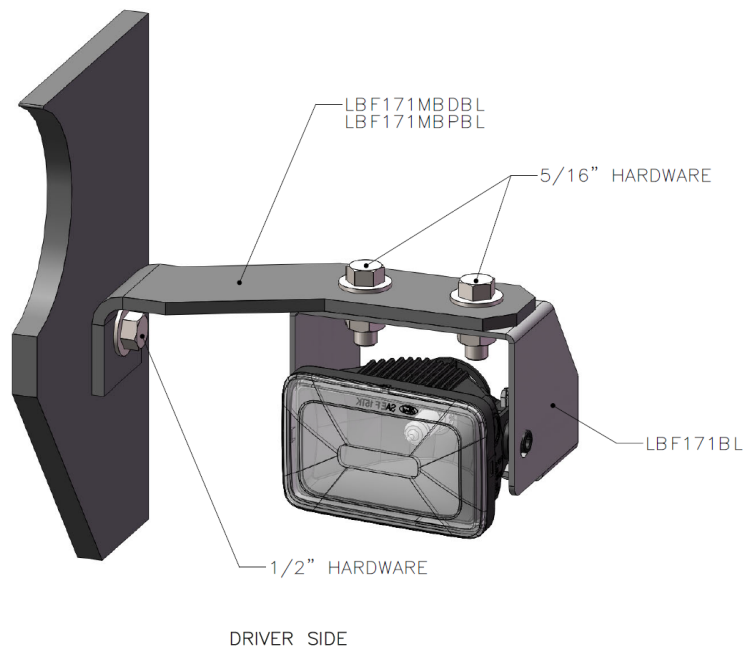
14. Plug in wires and then adjust fog lights as needed.

**NOTE:** On the FBF205BLR, you will reverse the brackets. The driver will be used on the passenger side and vice-versa.

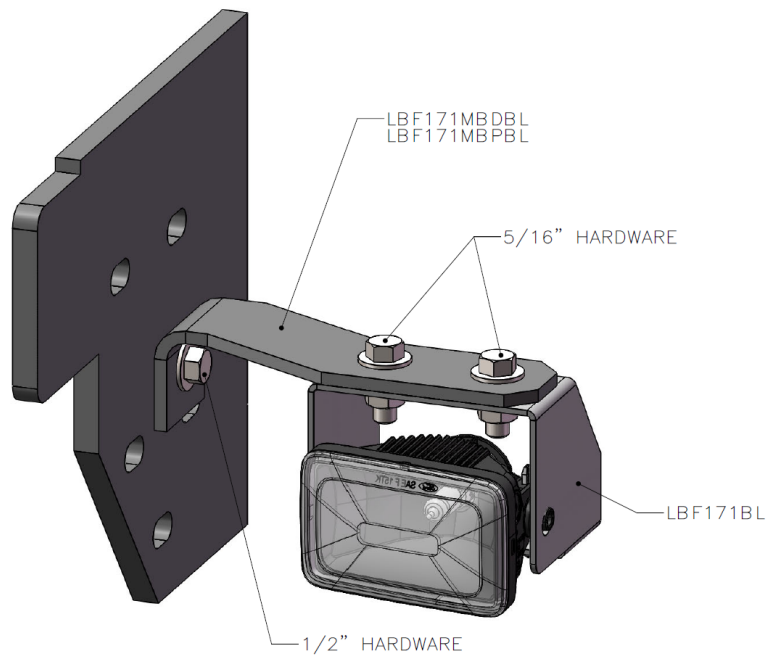
***\*MAKE SURE ALL NUTS AND BOLTS ARE TIGHT!***

---

FBF201BLR
BTF201BLR
FSF201BLR
BSF201BLR



LBF201BP  
ASSEMBLY INSTRUCTIONS  
HALOGEN LIGHT BRACKET  
LEGEND FRONT, 2020 FORD SD



DRIVER SIDE

LBF201BP  
ASSEMBLY INSTRUCTIONS  
HALOGEN LIGHT BRACKET  
SPORT FRONT, 2020 FORD SD

---

## WARNING

---

Special care should be exercised in the handling, storage and installation of Kaspar Ranch Hand equipment. The actual weight of each piece of equipment will vary depending on style and model. The weight of the equipment is sufficient in volume to warrant special care, assistance and in some instances, the use of mechanical equipment during the transfer and installation of the equipment. Do not assume a position directly under the equipment during installation. Be sure the equipment has been connected and stabilized during installation to prevent falling or shifting of positions. Periodically check tightness of bolts to make sure they are tight, and unlikely to fail.

1/14/20