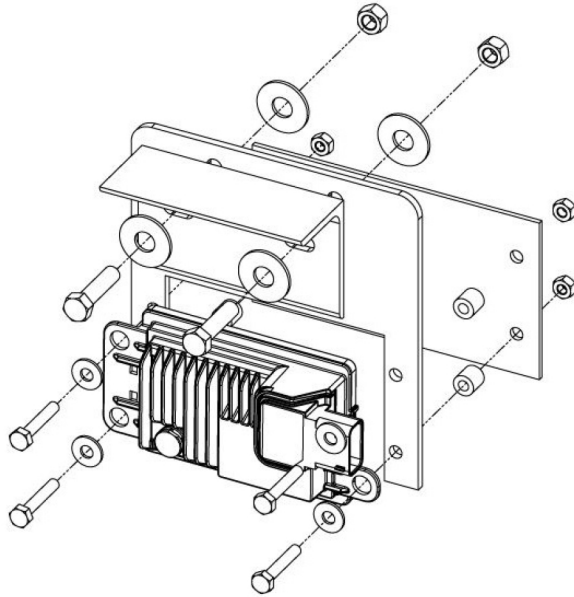


- Center the frontend from side to side and raise or lower the frontend as needed to make sure everything is aligned properly and flush with body lines and lights.

### 2017-19 Models:

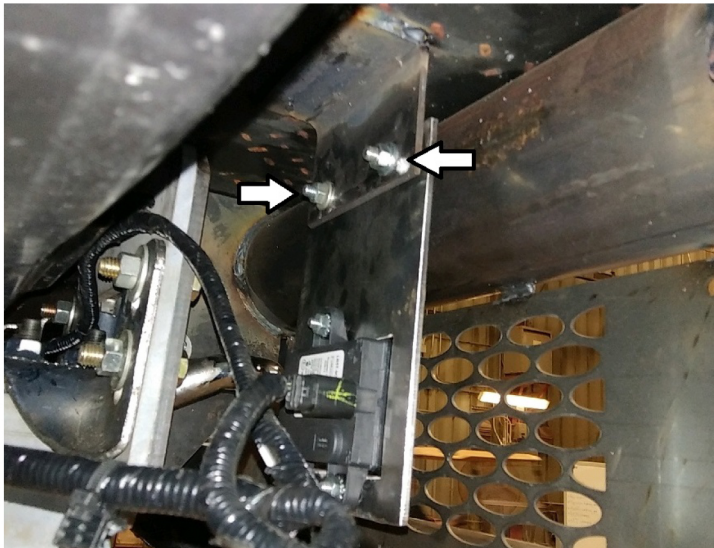
- Mount the Adaptive Cruise Control Module to the Adaptive Cruise Bracket

Use the  $\frac{1}{4}$ " x  $1\frac{1}{2}$ " bolts provided. Use the four plastic spacers between the adaptive cruise bracket and the rectangle plastic cover. Mount the bracket to the front side of the angle iron that is located on the underside of the top plate with  $\frac{5}{16}$ " bolts. The A.C.C. module will face forward.



- 2020-up models: Mount the Adaptive Cruise Control Module to the Adaptive Cruise Bracket

Use the  $\frac{1}{4}$ " x 1" bolts provided. Mount the bracket to the front side of the angle iron that is located on the underside of the top plate with  $\frac{5}{16}$ " bolts. The A.C.C. module will face forwards.



***MAKE SURE ALL NUTS AND BOLTS ARE TIGHT!***

Troubleshooting Adaptive Cruise:

- Make sure A.C.C. module is installed properly and plugged in.
- Make sure module bracket is bolted to the FRONT side of the angle iron. Burrs on the back side of the angle iron may cause A.C.C. module to not sit straight.
- The angle iron should be parallel to the pipe and front insert. If it is welded at an angle it will cause adaptive Cruise not to function properly.